



WEBP series

Variable Frequency Adjustable Speed
Three-phase Asynchronous Motor

Frame size 80~355

WOLONG
Power your future

Contents

01

Wolong Group _____ **03**

02

Product Overview _____ **03**

Product description
Typical applications
Nomenclature
Specification
Operating Conditions

03

Performance Data _____ **06**

WEBP4 Performance Data
WEBP3 Performance Data
WEBP2 Performance Data

04

Installation & Dimensions _____ **18**

WEBP4 installation and dimensions
WEBP2&WEBP3 installation and dimensions

05

Technical information _____ **22**

Independent fan
Terminal box
Lifting ring
Screw hole of shaft
Bearing type (WEBP2&WEBP3)
Bearing type (WEBP4)

06

Optional accessories _____ **24**

Thermistor PTC
Winding Resistant Temperature Detector (RTD)
Bearing Resistant Temperature Detector (RTD)
Anti-condensation heater
Terminal device of protective equipment

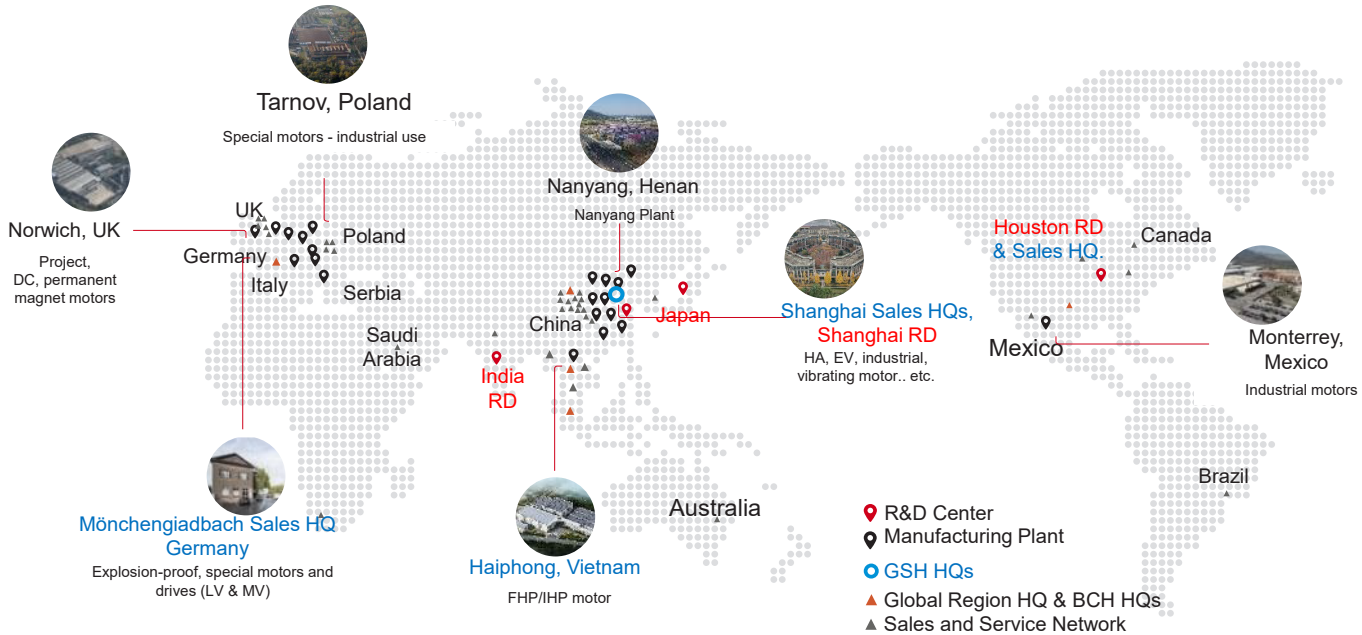
07

Ordering guide _____ **26**

Wolong Group

Wolong, founded in 1984 and headquartered in Shaoxing, Zhejiang Province, is a global leading industrial enterprise committed to providing safe, efficient, smart and green power drive system solutions with life-long supporting services to global users.

By utilizing cutting edge permanent magnet, nanotechnology and silicon carbide technologies, Wolong has built the China's first motor material demonstration platform, that satisfy the highest standards for power density and energy efficiency of motors and generators. With more than 30 years of development, the company has grown into one of the World's top three motor and drive manufacturers and sales enterprises. Wolong insists on technological innovation to lead the industrial reform, actively supports business digital transformation, continuously develops efficient drive system solutions and creates smart industry brain for the motor and drive life cycle management.



Product Overview

Product description

WEBP series variable-frequency adjustable speed three-phase asynchronous motor is an energy efficiency upgrading product independently developed by our company. The motor efficiency of the fundamental frequency 50Hz motor meets the GB 18613-2020 level 2 and 3 energy efficiency standards, and meets the IEC60034-30-1 IE4, IE3 and IE2 efficiency indicators.

The technical conditions of the motor shall comply with the standards of IEC60034-1 and GB755, and the installation dimensions and power level conforms to IEC standard, the customer can realize fast switching, and the comprehensive technical indicators have reached the domestic advanced level. It has the characteristics of wide speed range, high force and energy indicators, low temperature rise, reliable operation, convenient maintenance, etc. The motor uses high-temperature resistant grease, high-strength mechanical structure, independent fan cooling, and has the characteristics of large locked rotor torque, small locked rotor current, and high dynamic constant.

▼ Typical applications

WEBP series variable-frequency adjustable speed three-phase asynchronous motors can be widely used in spindle drive of CNC machine tools, constant torque and constant power speed regulation of textile, chemical, metallurgy, ports, docks, railways, waste processing plants and other industries, as well as energy-saving speed regulation of fans and pumps. High precision closed-loop operation can be achieved by matching high-precision sensors.

▼ Nomenclature

WEBP3 X - 160 M1-2 - X

Environmental code

(Default: indoor; details are as follows:)

F1: indoor, medium degree of corrosion resistance

F2: indoor, high degree of corrosion resistance

WF1: outdoor, medium degree of corrosion resistance

WF2: outdoor, high degree of corrosion resistance

TH: -humid tropical regions

G: plateau

Specification code: 160 represents motor center height is 160mm (or frame size is 160), the housing length is M, the core length is 1, and the pole number is 2

Frequency converter code (with independent fan by default, others are as follows)

Z: Brake frequency conversion

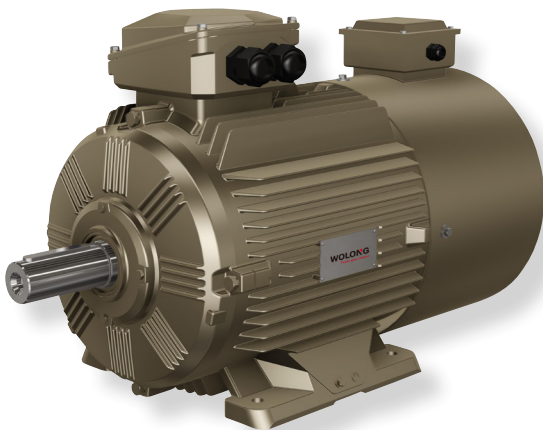
B: Encoder frequency conversion

H: Frequency conversion with brake and encoder

Product code: WEBP4 series, fundamental frequency efficiency of motor body IE4

WEBP3 series, fundamental frequency efficiency of motor body IE3

WEBP2 series, fundamental frequency efficiency of motor body IE2



Specification

	Standard product	Option
Frame size	80-355	-
Rated power	0.18~375kW	-
Number of poles	2P, 4P, 6P, 8P, 10P	-
Rated voltage	380V	220V, 230V, 400V, 415V, 440V, 460V, 480V, 690V, On request
Frequency	2P: 5~70Hz	60Hz, On request
	4P, 6P, 8P, 10P: 5~100Hz	-
Duty	S1	S2, S3 On request
Mounting option	B3	B5, B35, V1 etc.
Insulation	Class F	Class H
Connection	Below 3kW: "Y" connection 3kW or above: "Δ" connection	-
Enclosure	IP55	IP56, IP65, IP66
Cooling type	IC416	-
Frame material	Cast iron	-
Terminal box material	Aluminium	-
Terminal box position	Top	Right hand side, left hand side
Lubrication	H180 and below --Maintenance-free bearings,	H180, H160 -- Open type bearing with oil injection and discharge device
	H200 and above -- Open type bearing with oil injection and discharge device	-
Load characteristic	Constant torque speed regulation at 5-50Hz	Constant power speed regulation at 2P: 50-70Hz ,
		4P, 6P, 8P, 10P: constant power speed regulation at 50-100Hz
Thermal protection device	Thermistor winding protection	PTC, PTO, PT100, PT1000, Anti-condensation heater
Frequency converter	Independent fan	Brake, Encoder

Operating Conditions

- Ambient temperature: -20°C to +40°C
- Altitude: No more than 1000 m

※ Note: When the ambient temperature and altitude are different from those specified above, the provision of GB755 should prevail.

- Humidity: The monthly average maximum relative humidity does not exceed 90%

Performance Data

WEBP4 Performance Data

50Hz 3000 r/min (2 pole)

Model	Power	Rated Current (A)			Speed	Efficiency (%)	Power Factor	Locked Rotor Torque / Rated Torque	Locked Rotor Current / Rated Current	Maximum Torque / Rated Torque	Weight	Noise Lw	Moment of Inertia	Torque
	kW	I _N 380V	I _N 400V	I _N 415V	r/min						kg	dB(A)	kg·m ²	N·m
WEBP4-80M1-2	0.75	1.64	1.56	1.51	2875	83.5	0.83	2.2	8.5	2.3	19	67	0.001	2.49
WEBP4-80M2-2	1.1	2.36	2.25	2.16	2885	85.2	0.83	2.2	8.5	2.3	20	67	0.0014	3.64
WEBP4-90S-2	1.5	3.10	2.94	2.84	2890	86.5	0.85	2.2	9.0	2.3	27	72	0.0015	4.96
WEBP4-90L-2	2.2	4.42	4.20	4.04	2895	88.0	0.86	2.2	9.0	2.3	31	72	0.0017	7.26
WEBP4-100L-2	3	5.88	5.59	5.38	2900	89.1	0.87	2.2	9.5	2.3	40	76	0.0055	9.88
WEBP4-112M-2	4	7.67	7.29	7.03	2915	90.0	0.88	2.2	9.5	2.3	53	77	0.0075	13.1
WEBP4-132S1-2	5.5	10.4	9.92	9.57	2925	90.9	0.88	2	9.5	2.3	76	80	0.015	18.0
WEBP4-132S2-2	7.5	14.0	13.3	12.8	2925	91.7	0.89	2	9.5	2.3	83	80	0.019	24.5
WEBP4-160M1-2	11	20.3	19.3	18.6	2940	92.6	0.89	2	9.5	2.3	136	86	0.05	35.7
WEBP4-160M2-2	15	27.4	26.1	25.1	2940	93.3	0.89	2	9.5	2.3	144	86	0.059	48.7
WEBP4-160L-2	18.5	33.7	32.0	30.9	2940	93.7	0.89	2	9.5	2.3	159	86	0.069	60.1
WEBP4-180M-2	22	40.0	38.0	36.6	2945	94.0	0.89	2	9.5	2.3	200	89	0.1	71.3
WEBP4-200L1-2	30	54.2	51.5	49.6	2970	94.5	0.89	2	9.0	2.3	264	92	0.2	96.5
WEBP4-200L2-2	37	66.6	63.3	61.0	2970	94.8	0.89	2	9.0	2.3	293	92	0.24	119
WEBP4-225M-2	45	80.9	76.8	74.0	2970	95.0	0.89	2	9.0	2.3	355	92	0.39	145
WEBP4-250M-2	55	98.5	93.6	90.2	2970	95.3	0.89	2	9.0	2.3	465	93	0.49	177
WEBP4-280S-2	75	134	127	123	2980	95.6	0.89	1.8	8.5	2.3	605	94	0.86	240
WEBP4-280M-2	90	160	152	147	2980	95.8	0.89	1.8	8.5	2.3	677	94	1.1	288
WEBP4-315S-2	110	196	186	179	2985	96.0	0.89	1.8	8.5	2.3	980	96	1.5	352
WEBP4-315M-2	132	234	223	214	2985	96.2	0.89	1.8	8.5	2.3	1080	96	1.6	422
WEBP4-315L1-2	160	284	269	260	2985	96.3	0.89	1.8	8.5	2.2	1205	96	2.1	512
WEBP4-315L2-2	185	327	311	300	2985	96.5	0.89	1.8	8.5	2.2	1340	96	2.3	592
WEBP4-315L3-2	200	354	336	324	2985	96.5	0.89	1.8	8.5	2.2	1340	96	2.5	640
WEBP4-355M1-2	220	381	362	349	2990	96.5	0.91	1.6	8.5	2.2	1895	103	4.2	703
WEBP4-355M2-2	250	433	411	396	2990	96.5	0.91	1.6	8.5	2.2	1975	103	4.9	798
WEBP4-355L1-2	280	484	460	444	2990	96.5	0.91	1.6	8.5	2.2	2105	103	4.7	894
WEBP4-355L2-2	315	545	518	499	2990	96.5	0.91	1.6	8.5	2.2	2125	104	6	1006
WEBP4-355L-2	355	614	584	562	2990	96.5	0.91	0.9	8.6	1.8	2245	104	6.8	1134

50Hz 1500 r/min (4 pole)

Model	Power	Rated Current (A)			Speed	Efficiency (%)	Power Factor	Locked Rotor Torque / Rated Torque	Locked Rotor Current / Rated Current	Maximum Torque / Rated Torque	Weight	Noise Lw	Moment of Inertia	Torque
	kW	I _N 380V	I _N 400V	I _N 415V	r/min						kg	dB(A)	kg·m ²	N·m
WEBP4-80M1-4	0.55	1.3	1.28	1.23	1425	83.9	0.74	2.4	9.8	2.2	18	67	0.002	3.69
WEBP4-80M2-4	0.75	1.8	1.71	1.65	1425	85.7	0.74	2.3	8.5	2.3	20	67	0.00257	5.03
WEBP4-90S-4	1.1	2.6	2.43	2.34	1430	87.2	0.75	2.3	8.5	2.3	25	72	0.00374	7.35
WEBP4-90L-4	1.5	3.3	3.15	3.03	1430	88.2	0.78	2.3	9	2.3	30	72	0.00471	10.0
WEBP4-100L1-4	2.2	4.7	4.49	4.33	1430	89.5	0.79	2.3	9	2.3	40	76	0.01123	14.7
WEBP4-100L2-4	3	6.3	5.99	5.77	1435	90.4	0.80	2.3	9.5	2.3	44	76	0.01531	20.0
WEBP4-112M-4	4	8.3	7.92	7.64	1450	91.1	0.80	2.2	9.5	2.3	57	77	0.02211	26.3
WEBP4-132S-4	5.5	11.4	10.8	10.4	1460	91.9	0.80	2	9.5	2.3	80	80	0.03528	36.0
WEBP4-132M-4	7.5	15.2	14.4	13.9	1460	92.6	0.81	2	9.5	2.3	86	80	0.03969	49.1
WEBP4-160M-4	11	21.6	20.5	19.8	1470	93.3	0.83	2.2	9.5	2.3	140	86	0.09762	71.5
WEBP4-160L-4	15	28.9	27.4	26.5	1470	93.9	0.84	2.2	9.5	2.3	160	86	0.11652	97.4
WEBP4-180M-4	18.5	35.1	33.3	32.1	1475	94.2	0.85	2	9.5	2.3	195	89	0.19061	120
WEBP4-180L-4	22	41.6	39.5	38.1	1475	94.5	0.85	2	9	2.3	218	89	0.21709	142
WEBP4-200L-4	30	56.5	53.7	51.7	1475	94.9	0.85	2	9	2.3	295	92	0.45675	194
WEBP4-225S-4	37	69.5	66.0	63.6	1480	95.2	0.85	2	9	2.3	360	92	0.50416	239
WEBP4-225M-4	45	84.3	80.1	77.2	1480	95.4	0.85	2	9	2.3	400	92	0.58122	290
WEBP4-250M-4	55	102	96.5	93.0	1480	95.7	0.86	2	9	2.3	527	93	0.92357	355
WEBP4-280S-4	75	136	130	125	1485	96.0	0.87	2	8.5	2.3	648	94	1.53652	482
WEBP4-280M-4	90	162	154	148	1485	96.1	0.88	2	8.5	2.3	736	94	1.78857	579
WEBP4-315S-4	110	195	185	179	1490	96.3	0.89	2	8.5	2.2	1030	96	3.0715	705
WEBP4-315M-4	132	234	222	214	1490	96.4	0.89	2	8.5	2.2	1110	96	3.42591	846
WEBP4-315L1-4	160	280	266	256	1490	96.6	0.90	2	8.5	2.2	1190	96	4.13472	1026
WEBP4-315L2-4	185	323	307	296	1490	96.7	0.90	2	8.5	2.2	1295	96	5.31943	1186
WEBP4-315L3-4	200	349	332	320	1490	96.7	0.90	2	8.5	2.2	1300	96	5.36669	1282
WEBP4-355M1-4	220	384	365	352	1495	96.7	0.90	2	8.5	2.2	1875	99	9.29746	1405
WEBP4-355M2-4	250	436	415	400	1495	96.7	0.90	2	8.5	2.2	1875	99	9.45723	1597
WEBP4-355L1-4	280	489	464	448	1495	96.7	0.90	2	8.5	2.2	2065	99	11.07542	1789
WEBP4-355L2-4	315	550	522	504	1495	96.7	0.90	2	8.5	2.2	2065	103	11.07542	2012
WEBP4-3551-4	355	620	589	567	1495	96.7	0.90	1.7	8.5	2.2	2125	103	11.53276	2268
WEBP4-3552-4	375	670	636	613	1495	96.7	0.88	1.7	8.5	2.2	2305	103	12.83883	2395

50Hz 1000 r/min (6 pole)

Model	Power	Rated Current (A)			Speed	Efficiency (%)	Power Factor	Locked Rotor Torque Rated Torque	Locked Rotor Current Rated Current	Maximum Torque Rated Torque	Weight	Noise Lw	Moment of Inertia	Torque
	kW	I _N 380V	I _N 400V	I _N 415V	r/min						kg	dB(A)	kg·m ²	N·m
WEBP4-80M1-6	0.37	1.06	1.01	0.97	930	78.0	0.68	2	9.7	2.1	17	67	0.0023	3.80
WEBP4-80M2-6	0.55	1.48	1.40	1.35	930	80.9	0.70	2	9	2.1	20	67	0.0036	5.65
WEBP4-90S-6	0.75	1.97	1.87	1.80	940	82.7	0.70	2	7.5	2.1	29	72	0.0061	7.62
WEBP4-90L-6	1.1	2.83	2.68	2.59	945	84.5	0.70	2	7.5	2.1	34	72	0.0079	11.1
WEBP4-100L-6	1.5	3.74	3.55	3.42	950	85.9	0.71	2	7.5	2.1	44	76	0.014	15.1
WEBP4-112M-6	2.2	5.39	5.12	4.93	950	87.4	0.71	2	7.5	2.1	53	77	0.023	22.1
WEBP4-132S-6	3	7.25	6.88	6.63	960	88.6	0.71	2	7.5	2.1	73	80	0.029	29.8
WEBP4-132M1-6	4	9.43	8.96	8.64	960	89.5	0.72	2	8	2.1	81	80	0.038	39.8
WEBP4-132M2-6	5.5	12.8	12.2	11.7	965	90.5	0.72	2	8	2.1	88	80	0.054	54.4
WEBP4-160M-6	7.5	16.4	15.6	15.0	970	91.3	0.76	2	8	2.1	140	86	0.13	73.8
WEBP4-160L-6	11	23.5	22.3	21.5	970	92.3	0.77	2	8.5	2.1	160	86	0.19	108
WEBP4-180L-6	15	30.7	29.1	28.1	975	92.9	0.80	2	8.5	2.1	215	89	0.3	147
WEBP4-200L1-6	18.5	37.6	35.7	34.4	980	93.4	0.80	2	8.5	2.1	238	92	0.4	180
WEBP4-200L2-6	22	44.0	41.8	40.3	980	93.7	0.81	2	8.5	2.1	268	92	0.52	214
WEBP4-225M-6	30	59.0	56.1	54.0	980	94.2	0.82	2	8.3	2.1	350	92	1.1	292
WEBP4-250M-6	37	71.7	68.1	65.6	985	94.5	0.83	2	8.3	2.1	460	93	1.4	359
WEBP4-280S-6	45	86.9	82.6	79.6	985	94.8	0.83	2	8.5	2	612	93	2.8	436
WEBP4-280M-6	55	105	99.4	95.8	985	95.1	0.84	2	8.5	2	662	94	3.5	533
WEBP4-315S-6	75	142	135	130	990	95.4	0.84	1.6	8	2	1005	94	3.8	723
WEBP4-315M-6	90	168	160	154	990	95.6	0.85	1.6	8	2	1120	96	4.5	868
WEBP4-315L1-6	110	205	195	188	990	95.8	0.85	1.6	8	2	1200	96	5.5	1061
WEBP4-315L2-6	132	243	231	222	990	96.0	0.86	1.6	8	2	1330	96	6.5	1273
WEBP4-355M1-6	160	294	279	269	995	96.2	0.86	1.6	8	2	1865	99	10	1536
WEBP4-355M2-6	185	339	322	311	995	96.3	0.86	1.6	8	2	2055	99	13	1776
WEBP4-355M3-6	200	367	349	336	995	96.3	0.86	1.6	8	2	2055	99	13	1920
WEBP4-355L1-6	220	399	379	365	995	96.3	0.87	1.6	8	2	2265	99	14	2112
WEBP4-355L2-6	250	458	435	419	995	96.5	0.86	1.6	8	2	2265	103	15	2399
WEBP4-3551-6	280	538	511	492	995	96.5	0.82	1.6	8	2	2370	103	16	2687
WEBP4-3552-6	315	605	575	554	995	96.5	0.82	1.6	7.9	1.8	2370	103	16.7	3023

50Hz 750 r/min (8 pole)

Model	Power	Rated Current (A)			Speed	Efficiency (%)	Power Factor	Locked Rotor Torque Rated Torque	Locked Rotor Current Rated Current	Maximum Torque Rated Torque	Weight	Noise Lw	Moment of Inertia	Torque
	kW	I _N 380V	I _N 400V	I _N 415V	r/min						kg	dB(A)	kg·m ²	N.m
WEBP4-80M1-8	0.18	0.67	0.63	0.61	695	67.2	0.61	2.0	7.5	1.9	16	67	0.00214	2.47
WEBP4-80M2-8	0.25	0.88	0.84	0.81	695	70.8	0.61	2.0	7.5	1.9	18	67	0.00234	3.44
WEBP4-90S-8	0.37	1.24	1.18	1.14	700	74.3	0.61	2.0	8.3	1.9	28	72	0.00623	5.05
WEBP4-90L-8	0.55	1.78	1.69	1.63	700	77.0	0.61	2.0	7.4	2.0	31	72	0.00814	7.50
WEBP4-100L1-8	0.75	2.20	2.09	2.02	710	78.4	0.66	2.0	7.0	2.0	38	76	0.010512	10.1
WEBP4-100L2-8	1.1	3.09	2.93	2.83	710	80.8	0.67	2.0	7.0	2.0	42	76	0.011563	14.8
WEBP4-112M-8	1.5	4.00	3.80	3.66	710	82.6	0.69	2.0	7.0	2.0	49	77	0.02178	20.2
WEBP4-132S-8	2.2	5.65	5.37	5.17	720	84.5	0.70	1.8	7.5	2.0	65	80	0.02742	29.2
WEBP4-132M-8	3	7.58	7.20	6.94	720	85.9	0.70	1.8	7.8	2.0	76	80	0.030162	39.8
WEBP4-160M1-8	4	9.83	9.34	9.00	730	87.1	0.71	1.8	7.9	2.0	119	86	0.11945	52.3
WEBP4-160M2-8	5.5	13.1	12.5	12.0	730	88.3	0.72	1.8	8.1	2.0	130	86	0.12974	72.0
WEBP4-160L-8	7.5	17.2	16.4	15.8	730	89.3	0.74	1.8	7.8	2.0	152	86	0.18151	98.1
WEBP4-180L-8	11	25.0	23.7	22.9	735	90.4	0.74	1.8	7.9	2.0	202	89	0.27511	143
WEBP4-200L-8	15	33.3	31.7	30.5	735	91.2	0.75	1.8	8.0	2.0	253	92	0.42077	195
WEBP4-225S-8	18.5	40.9	38.8	37.4	740	91.7	0.75	1.8	8.1	2.0	295	92	0.55466	239
WEBP4-225M-8	22	47.8	45.4	43.7	740	92.1	0.76	1.8	8.3	2.0	335	92	1.0	284
WEBP4-250M-8	30	63.9	60.7	58.5	740	92.7	0.77	1.8	7.9	2.0	434	93	1.4	387
WEBP4-280S-8	37	77.4	73.5	70.9	740	93.1	0.78	1.8	7.9	2.0	567	93	2.8	478
WEBP4-280M-4	45	93.9	89.2	85.9	740	93.4	0.78	1.8	7.9	2.0	622	94	3.5	581
WEBP4-315S-4	55	111	106	102	745	93.7	0.80	1.6	8.2	2.0	980	94	3.6	705
WEBP4-315M-8	75	151	144	138	745	94.2	0.80	1.6	7.6	2.0	1060	96	4.4	961
WEBP4-315L1-8	90	179	170	164	745	94.4	0.81	1.6	7.7	2.0	1180	96	5.4	1154
WEBP4-315L2-8	110	218	207	200	745	94.7	0.81	1.6	7.7	2.0	1300	96	6.0	1410
WEBP4-355M1-8	132	261	248	239	745	94.9	0.81	1.6	7.7	2.0	1845	99	10.3	1692
WEBP4-355M2-8	160	312	296	285	745	95.1	0.82	1.6	7.7	2.0	1985	99	12.8	2051
WEBP4-355L-8	200	388	369	356	745	95.4	0.82	1.6	7.8	2.0	2130	99	12.8	2564

WEBP3 Performance Data

50Hz 3000 r/min (2 pole)

Model	Power	Rated Current (A)			Speed	Efficiency (%)	Power Factor	Locked Rotor Torque Rated Torque	Locked Rotor Current Rated Current	Maximum Torque Rated Torque	Weight	Noise Lw	Moment of Inertia	Torque
	kW	I _N 380V	I _N 400V	I _N 415V	r/min						kg	dB(A)	kg·m ²	N.m
WEBP3-80M1-2	0.75	1.72	1.64	1.58	2860	80.7	0.82	2.3	7.0	2.3	12	67	0.00099	2.5
WEBP3-80M2-2	1.1	2.43	2.31	2.23	2880	82.7	0.83	2.2	7.3	2.3	12.5	67	0.0013	3.65
WEBP3-90S-2	1.5	3.22	3.06	2.95	2885	84.2	0.84	2.2	7.6	2.3	22.5	72	0.0014	4.97
WEBP3-90L-2	2.2	4.58	4.35	4.19	2870	85.9	0.85	2.2	7.6	2.3	25.5	72	0.0016	7.32
WEBP3-100L-2	3	6.02	5.71	5.51	2900	87.1	0.87	2.2	7.8	2.3	34	76	0.0053	9.88
WEBP3-112M-2	4	7.84	7.45	7.18	2900	88.1	0.88	2.2	8.3	2.3	40	77	0.0069	13.2
WEBP3-132S1-2	5.5	10.6	10.1	9.75	2920	89.2	0.88	2.0	8.3	2.3	57	80	0.014	18
WEBP3-132S2-2	7.5	14.4	13.7	13.2	2905	90.1	0.88	2.0	7.9	2.3	64	80	0.018	24.7
WEBP3-160M1-2	11	20.6	19.6	18.9	2940	91.2	0.89	2.0	8.1	2.3	110	86	0.046	35.7
WEBP3-160M2-2	15	27.9	26.5	25.5	2930	91.9	0.89	2.0	8.1	2.3	118	86	0.053	48.9
WEBP3-160L-2	18.5	34.2	32.5	31.3	2930	92.4	0.89	2.0	8.2	2.3	132	86	0.063	60.3
WEBP3-180M-2	22	40.5	38.5	37.1	2945	92.7	0.89	2.0	8.2	2.3	162	89	0.092	71.3
WEBP3-200L1-2	30	54.9	52.1	50.3	2970	93.3	0.89	2.0	7.6	2.3	256	92	0.18	96.5
WEBP3-200L2-2	37	67.4	64	61.7	2970	93.7	0.89	2.0	7.6	2.3	279	92	0.22	119
WEBP3-225M-2	45	80.8	76.8	74	2970	94.0	0.90	2.0	7.7	2.3	314	92	0.36	145
WEBP3-250M-2	55	98.5	93.5	90.2	2970	94.3	0.90	2.0	7.7	2.3	435	93	0.45	177
WEBP3-280S-2	75	134	127	122	2980	94.7	0.90	1.8	7.1	2.3	571	94	0.82	241
WEBP3-280M-2	90	160	152	146	2980	95.0	0.90	1.8	7.1	2.3	657	94	1	289
WEBP3-315S-2	110	195	185	179	2985	95.2	0.90	1.8	7.1	2.3	1165	96	1.4	353
WEBP3-315M-2	132	234	222	214	2985	95.4	0.90	1.8	7.1	2.3	1230	96	1.5	423
WEBP3-315L1-2	160	279	265	256	2985	95.6	0.91	1.8	7.2	2.3	1345	96	2	513
WEBP3-315L2-2	185	323	307	296	2985	95.7	0.91	1.8	7.2	2.2	1410	96	2.2	593
WEBP3-315L3-2	200	349	331	319	2985	95.8	0.91	1.8	7.2	2.2	1450	96	2.4	641
WEBP3-355M1-2	220	384	364	351	2990	95.8	0.91	1.6	7.2	2.2	1590	103	4	705
WEBP3-355M2-2	250	436	414	399	2990	95.8	0.91	1.6	7.2	2.2	1607	103	4.7	801
WEBP3-355L1-2	280	488	464	447	2990	95.8	0.91	1.6	7.2	2.2	1837	103	4.3	897
WEBP3-355L2-2	315	549	522	503	2990	95.8	0.91	1.6	7.2	2.2	1860	103	5.7	1009
WEBP3-3551-2	355	619	588	567	2990	95.8	0.91	1.6	7.2	2.2	2085	104	6.5	1138
WEBP3-3552-2	375	654	621	598	2990	95.8	0.91	1.6	7.2	2.2	2285	104	6.5	1202

50Hz 1500 r/min (4 pole)

Model	Power	Rated Current (A)			Speed	Efficiency (%)	Power Factor	Locked Rotor Torque Rated Torque	Locked Rotor Current Rated Current	Maximum Torque Rated Torque	Weight	Noise Lw	Moment of Inertia	Torque
	kW	I _N 380V	I _N 400V	I _N 415V	r/min						kg	dB(A)	kg·m ²	N.m
WEBP3-80M1-4	0.55	1.38	1.31	1.26	1425	80.8	0.75	2.3	6.6	2.3	14	67	0.0018	3.69
WEBP3-80M2-4	0.75	1.84	1.75	1.69	1425	82.5	0.75	2.3	6.6	2.3	15.5	67	0.0023	5.03
WEBP3-90S-4	1.1	2.61	2.48	2.39	1430	84.1	0.76	2.3	6.8	2.3	23	72	0.0034	7.35
WEBP3-90L-4	1.5	3.47	3.3	3.18	1425	85.3	0.77	2.3	7	2.3	26	72	0.0043	10.1
WEBP3-100L1-4	2.2	4.76	4.52	4.36	1445	86.7	0.81	2.3	7.6	2.3	35	76	0.01	14.5
WEBP3-100L2-4	3	6.34	6.02	5.8	1420	87.7	0.82	2.3	7.6	2.3	41	76	0.014	20.2
WEBP3-112M-4	4	8.37	7.95	7.66	1450	88.6	0.82	2.2	7.8	2.3	50	77	0.02	26.3
WEBP3-132S-4	5.5	11.2	10.7	10.3	1460	89.6	0.83	2.0	7.9	2.3	70	80	0.032	36
WEBP3-132M-4	7.5	15	14.3	13.7	1445	90.4	0.84	2.0	7.5	2.3	76.5	80	0.036	49.6
WEBP3-160M-4	11	21.5	20.4	19.7	1470	91.4	0.85	2.2	7.7	2.3	121	86	0.089	71.5
WEBP3-160L-4	15	28.8	27.3	26.3	1470	92.1	0.86	2.2	7.8	2.3	129	86	0.11	97.4
WEBP3-180M-4	18.5	35.3	33.5	32.3	1475	92.6	0.86	2.0	7.8	2.3	173	89	0.17	120
WEBP3-180L-4	22	41.8	39.7	38.3	1475	93.0	0.86	2.0	7.8	2.3	184	89	0.2	142
WEBP3-200L-4	30	56.6	53.8	51.9	1475	93.6	0.86	2.0	7.3	2.3	270	92	0.42	194
WEBP3-225S-4	37	69.6	66.1	63.7	1480	93.9	0.86	2.0	7.4	2.3	305	92	0.46	239
WEBP3-225M-4	45	84.4	80.2	77.3	1480	94.2	0.86	2.0	7.4	2.3	335	92	0.53	290
WEBP3-250M-4	55	103	97.6	94.1	1480	94.6	0.86	2.2	7.4	2.3	451	93	0.84	355
WEBP3-280S-4	75	136	129	125	1485	95.0	0.88	2.0	6.9	2.3	598	94	1.5	484
WEBP3-280M-4	90	163	155	129	1485	95.2	0.88	2.0	6.9	2.3	684	94	1.8	579
WEBP3-315S-4	110	197	187	180	1490	95.4	0.89	2.0	7.0	2.2	1210	96	2.9	707
WEBP3-315M-4	132	236	224	216	1490	95.6	0.89	2.0	7.0	2.2	1240	96	3.3	849
WEBP3-315L1-4	160	285	271	261	1490	95.8	0.89	2.0	7.1	2.2	1390	96	3.9	1029
WEBP3-315L2-4	185	329	313	302	1490	95.9	0.89	2.0	7.1	2.2	1420	96	5.1	1190
WEBP3-315L3-4	200	352	334	322	1490	96.0	0.90	2.0	7.1	2.2	1440	96	5.1	1286
WEBP3-355M1-4	220	387	368	354	1495	96.0	0.89	2.0	7.1	2.2	1645	99	8.9	1412
WEBP3-355M2-4	250	440	418	403	1495	96.0	0.90	2.0	7.1	2.2	1665	99	8.2	1597
WEBP3-355L1-4	280	493	468	451	1495	96.0	0.90	2.0	7.1	2.2	1758	99	11	1797
WEBP3-355L2-4	315	554	526	507	1495	96.0	0.90	2.0	7.1	2.2	1815	99	9.2	2022
WEBP3-3551-4	355	639	607	585	1495	96.0	0.88	1.7	7.0	2.2	1995	103	10	2275
WEBP3-3552-4	375	674	641	618	1495	96.0	0.88	1.7	7.0	2.2	2085	103	12	2395

50Hz 1000 r/min (6 pole)

Model	Power	Rated Current (A)			Speed	Efficiency (%)	Power Factor	Locked Rotor Torque Rated Torque	Locked Rotor Current Rated Current	Maximum Torque Rated Torque	Weight	Noise Lw	Moment of Inertia	Torque
	kW	I _N 380V	I _N 400V	I _N 415V	r/min						kg	dB(A)	kg·m ²	N·m
WEBP3-80M1-6	0.37	1.09	1.04	1	925	73.5	0.70	2.0	6.0	2.1	13	67	0.0021	3.82
WEBP3-80M2-6	0.55	1.5	1.43	1.38	925	77.2	0.72	2.0	6.0	2.1	15.5	67	0.0033	5.68
WEBP3-90S-6	0.75	2.03	1.93	1.86	940	78.9	0.71	2.0	6.0	2.1	24	72	0.0055	7.62
WEBP3-90L-6	1.1	2.83	2.69	2.59	945	81	0.73	2.0	6.0	2.1	27.5	72	0.0072	11.1
WEBP3-100L-6	1.5	3.78	3.6	3.47	960	82.5	0.73	2.0	6.5	2.1	37	76	0.013	14.9
WEBP3-112M-6	2.2	5.36	5.09	4.91	950	84.3	0.74	2.0	6.6	2.1	46	77	0.021	22.1
WEBP3-132S-6	3	7.2	6.84	6.59	960	85.6	0.74	2.0	6.8	2.1	57	80	0.027	29.8
WEBP3-132M1-6	4	9.46	8.99	8.66	960	86.8	0.74	2.0	6.8	2.1	63	80	0.034	39.8
WEBP3-132M2-6	5.5	12.7	12	11.6	965	88	0.75	2.0	7.0	2.1	78	80	0.049	54.4
WEBP3-160M-6	7.5	16.2	15.4	14.8	970	89.1	0.79	2.0	7.0	2.1	116	86	0.12	73.8
WEBP3-160L-6	11	23.1	22	21.2	970	90.3	0.80	2.0	7.2	2.1	142	86	0.17	108
WEBP3-180L-6	15	30.9	29.3	28.2	975	91.2	0.81	2.0	7.3	2.1	181	89	0.27	147
WEBP3-200L1-6	18.5	37.8	36	34.7	980	91.7	0.81	2.0	7.3	2.1	234	92	0.4	180
WEBP3-200L2-6	22	44.8	42.5	41	980	92.2	0.81	2.0	7.4	2.1	254	92	0.47	214
WEBP3-225M-6	30	59.1	56.2	54.1	980	92.9	0.83	2.0	6.9	2.1	328	92	0.96	292
WEBP3-250M-6	37	71.7	68.1	65.7	985	93.3	0.84	2.0	7.1	2.1	416	93	1.3	361
WEBP3-280S-6	45	85.8	81.6	78.6	985	93.7	0.85	2.0	7.3	2.0	543	93	2.6	439
WEBP3-280M-6	55	103	98.1	94.6	985	94.1	0.86	2.0	7.3	2.0	635	94	3.3	536
WEBP3-315S-6	75	143	136	131	990	94.6	0.84	2.0	6.6	2.0	1190	94	3.6	727
WEBP3-315M-6	90	170	161	155	990	94.9	0.85	2.0	6.7	2.0	1320	96	4.2	873
WEBP3-315L1-6	110	207	196	189	990	95.1	0.85	2.0	6.7	2.0	1430	96	5.2	1066
WEBP3-315L2-6	132	244	232	224	990	95.4	0.86	2.0	6.8	2.0	1610	96	6.2	1280
WEBP3-355M1-6	160	296	281	271	995	95.6	0.86	1.8	6.8	2.0	1710	99	9.8	1551
WEBP3-355M2-6	200	365	346	334	995	95.8	0.87	1.8	6.8	2.0	1850	99	12	1939
WEBP3-355L1-6	220	401	385	372	995	95.8	0.86	1.8	6.8	2.0	1905	99	13	2112
WEBP3-355L2-6	250	456	433	417	995	95.8	0.86	1.8	6.8	2.0	2105	99	14	2424
WEBP3-3551-6	280	511	491	473	995	95.8	0.86	1.8	6.8	2.0	2285	103	15	2687
WEBP3-3552-6	315	575	546	526	995	95.8	0.86	1.8	6.8	2.0	2350	103	16	3054

50Hz 750 r/min (8 pole)

Model	Power	Rated Current (A)			Speed	Efficiency (%)	Power Factor	Locked Rotor Torque Rated Torque	Locked Rotor Current Rated Current	Maximum Torque Rated Torque	Weight	Noise Lw	Moment of Inertia	Torque
	kW	I _N 380V	I _N 400V	I _N 415V	r/min						kg	dB(A)	kg·m ²	N·m
WEBP3-80M1-8	0.18	0.76	0.73	0.7	695	58.7	0.61	2.0	7.5	1.9	14	67	0.0033	2.47
WEBP3-80M2-8	0.25	0.97	0.92	0.89	695	64.1	0.61	2.0	7.9	1.9	16	67	0.004	3.43
WEBP3-90S-8	0.37	1.33	1.26	1.22	700	69.3	0.61	2.0	8.3	1.9	25	72	0.0049	5.05
WEBP3-90L-8	0.55	1.88	1.78	1.72	700	73	0.61	2.0	7.4	2.0	28	72	0.0061	7.5
WEBP3-100L1-8	0.75	2.3	2.19	2.11	710	75	0.66	2.0	7.0	2.0	34	76	0.013	10.1
WEBP3-100L2-8	1.1	3.21	3.05	2.94	710	77.7	0.67	2.0	7.0	2.0	38	76	0.016	14.8
WEBP3-112M-8	1.5	4.14	3.94	3.79	710	79.7	0.69	2.0	7.0	2.0	45	77	0.023	20.2
WEBP3-132S-8	2.2	5.75	5.46	5.26	715	81.9	0.71	1.8	6.0	2.0	60	80	0.03	29.4
WEBP3-132M-8	3	7.48	7.1	6.85	715	83.5	0.73	1.8	6.0	2.0	70	80	0.04	40.1
WEBP3-160M1-8	4	9.82	9.33	8.99	730	84.8	0.73	1.9	6.0	2.0	108	86	0.092	52.3
WEBP3-160M2-8	5.5	13.1	12.45	12	725	86.2	0.74	1.9	6.0	2.0	118	86	0.11	72.4
WEBP3-160L-8	7.5	17.4	16.53	15.94	730	87.3	0.75	1.9	6.0	2.0	145	86	0.14	98.1
WEBP3-180L-8	11	25.15	23.89	23.03	730	88.6	0.75	2.0	6.5	2.0	181	89	0.28	144
WEBP3-200L-8	15	33.47	31.8	30.65	735	89.6	0.76	2.0	6.6	2.0	264	92	0.56	195
WEBP3-225S-8	18.5	41.05	39	37.59	735	90.1	0.76	1.9	6.6	2.0	280	92	0.86	240
WEBP3-225M-8	22	47.3	44.94	43.31	735	90.6	0.78	1.9	6.6	2.0	306	92	0.97	286
WEBP3-250M-8	30	63.2	60.04	57.87	740	91.3	0.79	1.9	6.5	2.0	440	93	1.5	387
WEBP3-280S-8	37	77.52	73.64	70.98	740	91.8	0.79	1.9	6.6	2.0	523	93	2.8	478
WEBP3-280M-8	45	93.87	89.18	85.95	740	92.2	0.79	1.9	6.6	2.0	595	94	3.3	581
WEBP3-315S-8	55	112.93	107.28	103.4	740	92.5	0.80	1.8	6.6	2.0	1120	94	5.2	710
WEBP3-315M-8	75	153	145.35	140.1	740	93.1	0.80	1.8	6.4	2.0	1320	96	6.4	968
WEBP3-315L1-8	90	183.01	173.86	167.58	740	93.4	0.80	1.8	6.4	2.0	1495	96	7.3	1161
WEBP3-315L2-8	110	217.52	206.65	199.18	740	93.7	0.82	1.8	6.4	2.0	1640	96	8.4	1420
WEBP3-355M1-8	132	260.2	247.19	238.25	745	94	0.82	1.8	6.4	2.0	1750	99	13	1692
WEBP3-355M2-8	160	314.39	298.67	287.87	745	94.3	0.82	1.8	6.4	2.0	1850	99	15	2051
WEBP3-355L-8	200	387.02	367.67	354.38	745	94.6	0.83	1.8	6.4	2.0	2105	99	17	2564

50Hz 600 r/min (10 pole)

Model	Power	Rated Current (A)			Speed	Efficiency (%)	Power Factor	Locked Rotor Torque Rated Torque	Locked Rotor Current Rated Current	Maximum Torque Rated Torque	Weight	Noise Lw	Moment of Inertia	Torque
	kW	I _N 380V	I _N 400V	I _N 415V	r/min						kg	dB(A)	kg·m ²	N·m
WEBP3-250M1-10	18.5	43.4	41.2	39.7	585	90	0.72	1.8	6.2	2	370	75	3.5	302
WEBP3-250M-10	22	51.6	49.0	47.2	585	90	0.72	1.8	6.2	2	390	75	3.8	359
WEBP3-280S-10	30	68.9	65.4	63.1	585	90.7	0.73	1.8	6.2	2	530	76	4.1	489
WEBP3-280M-10	37	82.6	78.5	75.6	585	90.7	0.75	1.8	6.2	2	660	76	4.5	604
WEBP3-315S-10	45	100	95	91	587	91.5	0.75	2.0	6.2	2	1190	82	5.4	732
WEBP3-315M-10	55	121	115	111	587	92	0.75	2.0	6.2	2	1390	82	6.6	894
WEBP3-315L1-10	75	162	154	148	587	92.5	0.76	2.0	6.2	2	1510	82	7.6	1220
WEBP3-315L2-10	90	191	181	175	587	93	0.77	2.0	5.9	2	1590	82	9	1464
WEBP3-355M1-10	110	230	218	211	587	93.2	0.78	2.0	6.0	2	1870	85	13	1789
WEBP3-355M2-10	132	276	262	253	587	93.2	0.78	2.0	6.0	2	2150	85	17	2148
WEBP3-355L-10	160	333	317	305	587	93.5	0.78	2.0	6.0	2	2200	85	19	2603
WEBP3-355L-10	185	385	317	305	587	93.5	0.78	2.0	6.0	2	2250	85	22	3009

WEBP2 Performance Data

50Hz 3000 r/min (2 pole)

Model	Power	Rated Current (A)			Speed r/min	Efficiency (%)	Power Factor	Locked Rotor Torque Rated Torque	Locked Rotor Current Rated Current	Maximum Torque Rated Torque	Weight	Noise Lw	Moment of Inertia	Torque
	kW	I _N 380V	I _N 400V	I _N 415V							kg	dB(A)	kg·m ²	N·m
WEBP2-80M1-2	0.75	1.79	1.71	1.64	2855	77.4	0.82	2.3	6.8	2.3	13	67	0.00081	2.51
WEBP2-80M2-2	1.1	2.53	2.4	2.32	2875	79.6	0.83	2.3	7.1	2.3	14	67	0.0012	3.65
WEBP2-90S-2	1.5	3.34	3.17	3.06	2880	81.3	0.84	2.3	7.3	2.3	21	72	0.0013	4.97
WEBP2-90L-2	2.2	4.73	4.49	4.33	2880	83.2	0.85	2.3	7.6	2.3	26	72	0.0016	7.30
WEBP2-100L-2	3	6.2	5.9	5.7	2895	84.6	0.87	2.2	7.8	2.3	34	76	0.005	9.90
WEBP2-112M-2	4	8.1	7.7	7.4	2900	85.8	0.88	2.2	8.1	2.3	39	77	0.0062	13.2
WEBP2-132S1-2	5.5	10.9	10.4	10	2910	87.0	0.88	2.2	8.2	2.3	55	80	0.011	18
WEBP2-132S2-2	7.5	14.5	13.8	13.3	2910	88.1	0.89	2.2	7.8	2.3	63	80	0.017	24.6
WEBP2-160M1-2	11	21	20	19.2	2930	89.4	0.89	2.2	7.9	2.3	110	86	0.042	35.9
WEBP2-160M2-2	15	28.4	26.9	26	2930	90.3	0.89	2.2	7.9	2.3	115	86	0.049	48.9
WEBP2-160L-2	18.5	34.7	33	31.8	2930	90.9	0.89	2.2	8.0	2.3	136	86	0.063	60
WEBP2-180M-2	22	41.1	39	37.7	2945	91.3	0.89	2.2	8.1	2.3	163	89	0.089	71
WEBP2-200L1-2	30	56	53	51	2950	92.0	0.89	2.0	7.5	2.3	242	92	0.17	97.1
WEBP2-200L2-2	37	68	65	63	2950	92.5	0.89	2.0	7.5	2.3	256	92	0.2	120
WEBP2-225M-2	45	83	79	76	2960	92.9	0.89	2.2	7.5	2.3	318	92	0.36	145
WEBP2-250M-2	55	101	96	92	2965	93.2	0.89	2.2	7.6	2.3	384	93	0.42	177
WEBP2-280S-2	75	136	130	125	2970	93.8	0.89	1.8	6.9	2.3	504	94	0.8	241
WEBP2-280M-2	90	163	155	150	2980	94.1	0.89	1.8	6.9	2.3	634	94	0.99	288
WEBP2-315S-2	110	197	187	180	2985	94.3	0.90	1.8	7.0	2.2	886	96	1.3	352
WEBP2-315M-2	132	236	224	216	2985	94.6	0.90	1.8	7.0	2.2	999	96	1.4	422
WEBP2-315L1-2	160	282	268	258	2985	94.8	0.91	1.8	7.1	2.2	1140	96	2	512
WEBP2-315L2-2	185	325	309	298	2985	94.9	0.91	1.8	7.1	2.2	1206	96	2.2	592
WEBP2-315L3-2	200	351	334	322	2985	95.0	0.91	1.8	7.1	2.2	1246	96	2.4	640
WEBP2-355M1-2	220	386	367	354	2990	95.0	0.91	1.6	7.1	2.2	1694	103	4	703
WEBP2-355M2-2	250	439	417	402	2990	95.0	0.91	1.6	7.1	2.2	1711	103	4.7	798
WEBP2-355L1-2	280	492	467	451	2990	95.0	0.91	1.6	7.2	2.2	2068	103	4.3	894
WEBP2-355L2-2	315	553	525	507	2990	95.0	0.91	1.6	7.2	2.2	2091	103	5.7	1006
WEBP2-3551-2	355	623	592	571	2990	95.0	0.91	1.6	7.5	2.2	2332	104	6.5	1134
WEBP2-3552-2	375	659	626	603	2990	95.0	0.91	1.6	7.5	2.2	2350	104	6.5	1198

50Hz 1500 r/min (4 pole)

Model	Power	Rated Current (A)			Speed r/min	Efficiency (%)	Power Factor	Locked Rotor Torque Rated Torque	Locked Rotor Current Rated Current	Maximum Torque Rated Torque	Weight	Noise Lw	Moment of Inertia	Torque
	kW	I _N 380V	I _N 400V	I _N 415V							kg	dB(A)	kg·m ²	N·m
WEBP2-80M1-4	0.55	1.45	1.37	1.32	1420	77.1	0.75	2.4	6.4	2.3	16	67	0.0015	3.70
WEBP2-80M2-4	0.75	1.88	1.79	1.72	1420	79.6	0.76	2.3	6.4	2.3	18	67	0.002	5.04
WEBP2-90S-4	1.1	2.66	2.53	2.44	1430	81.4	0.77	2.3	6.6	2.3	21	72	0.0028	7.3
WEBP2-90L-4	1.5	3.52	3.35	3.23	1430	82.8	0.78	2.3	6.7	2.3	23	72	0.0034	10.0
WEBP2-100L1-4	2.2	4.96	4.71	4.54	1440	84.3	0.80	2.3	7.3	2.3	35	76	0.0099	14.6
WEBP2-100L2-4	3	6.6	6.3	6	1440	85.5	0.81	2.3	7.5	2.3	39	76	0.013	19.9
WEBP2-112M-4	4	8.7	8.2	7.9	1445	86.6	0.81	2.3	7.5	2.3	45	77	0.02	26.4
WEBP2-132S-4	5.5	11.6	11.0	10.6	1455	87.7	0.82	2.0	7.5	2.3	62	80	0.028	36.1
WEBP2-132M-4	7.5	15.4	14.7	14.2	1455	88.7	0.83	2.0	7.3	2.3	73	80	0.031	49.2
WEBP2-160M-4	11	22.4	21.3	20.5	1460	89.8	0.83	2.0	7.4	2.3	119	86	0.078	72.0
WEBP2-160L-4	15	29.9	28.4	27.4	1460	90.6	0.84	2.0	7.5	2.3	137	86	0.099	98.1
WEBP2-180M-4	18.5	36.2	34.4	33.2	1470	91.2	0.85	2.0	7.6	2.3	167	89	0.16	120
WEBP2-180L-4	22	42.9	40.7	39.3	1470	91.6	0.85	2.1	7.7	2.3	185	89	0.15	143
WEBP2-200L-4	30	58	55	53	1470	92.3	0.85	2.1	7.1	2.3	255	92	0.4	195
WEBP2-225S-4	37	71	67	65	1480	92.7	0.86	2.1	7.3	2.3	288	92	0.41	239
WEBP2-225M-4	45	85	81	78	1480	93.1	0.86	2.2	7.3	2.3	319	92	0.5	290
WEBP2-250M-4	55	104	99	95	1480	93.5	0.86	2.2	7.3	2.3	421	93	0.81	355
WEBP2-280S-4	75	139	132	128	1480	94.0	0.87	2.2	6.8	2.3	541	94	1.5	484
WEBP2-280M-4	90	165	156	151	1480	94.2	0.88	2.2	6.9	2.3	657	94	1.8	581
WEBP2-315S-4	110	198	188	182	1485	94.5	0.89	2.1	6.9	2.2	955	96	2.1	707
WEBP2-315M-4	132	238	226	218	1485	94.7	0.89	2.1	6.9	2.2	1017	96	3.3	849
WEBP2-315L1-4	160	285	270	261	1485	94.9	0.90	2.1	6.9	2.2	1055	96	3.9	1029
WEBP2-315L2-4	185	329	313	301	1485	95.0	0.90	2.1	6.9	2.2	1092	96	5.1	1190
WEBP2-315L3-4	200	355	337	325	1485	95.1	0.90	2.1	6.9	2.2	1116	96	5.1	1286
WEBP2-355M1-4	220	390	371	358	1490	95.1	0.90	2.0	6.9	2.2	1522	99	8.3	1410
WEBP2-355M2-4	250	443	421	406	1490	95.1	0.90	2.0	6.9	2.2	1542	99	8.3	1602
WEBP2-355L1-4	280	497	472	455	1490	95.1	0.90	2.0	6.9	2.2	1663	99	9	1795
WEBP2-355L2-4	315	559	531	512	1490	95.1	0.90	2.0	6.9	2.2	1820	99	9.2	2019
WEBP2-3551-4	355	637	605	584	1490	95.1	0.89	1.7	7.2	2.2	2008	103	10	2275
WEBP2-3552-4	375	673	639	616	1490	95.1	0.89	1.7	7.2	2.2	2308	103	12	2404

50Hz 1000 r/min (6 pole)

Model	Power	Rated Current (A)			Speed	Efficiency (%)	Power Factor	Locked Rotor Torque Rated Torque	Locked Rotor Current Rated Current	Maximum Torque Rated Torque	Weight	Noise Lw	Moment of Inertia	Torque
	kW	I _N 380V	I _N 400V	I _N 415V	r/min						kg	dB(A)	kg·m ²	N·m
WEBP2-80M1-6	0.37	1.18	1.12	1.09	925	67.6	0.70	1.9	5.8	2.0	16	67	0.002	3.82
WEBP2-80M2-6	0.55	1.59	1.51	1.45	925	73.1	0.72	1.9	5.8	2.1	17	67	0.003	5.7
WEBP2-90S-6	0.75	2.11	2	1.94	935	75.9	0.71	2.0	5.8	2.1	22	72	0.005	7.66
WEBP2-90L-6	1.1	2.97	2.82	2.72	935	78.1	0.72	2.0	5.9	2.1	25	72	0.007	11.2
WEBP2-100L-6	1.5	3.96	3.76	3.63	940	79.8	0.72	2.0	5.9	2.1	36	76	0.013	15.2
WEBP2-112M-6	2.2	5.7	5.4	5.2	945	81.8	0.72	2.0	6.2	2.1	42	77	0.019	22.2
WEBP2-132S-6	3	7.6	7.2	7	950	83.3	0.72	2.0	6.4	2.1	53	80	0.027	30.2
WEBP2-132M1-6	4	9.7	9.2	8.9	950	84.6	0.74	2.0	6.6	2.1	62	80	0.03	40.2
WEBP2-132M2-6	5.5	12.9	12.3	11.9	950	86.0	0.75	2.0	6.8	2.1	75	80	0.041	55.3
WEBP2-160M-6	7.5	16.7	15.9	15.3	960	87.2	0.78	2.0	6.8	2.1	110	86	0.099	74.6
WEBP2-160L-6	11	23.8	22.6	21.8	965	88.7	0.79	2.0	6.9	2.1	135	86	0.17	109
WEBP2-180L-6	15	30.9	29.4	28.4	970	89.7	0.82	2.0	7.3	2.1	189	89	0.25	148
WEBP2-200L1-6	18.5	38.8	36.9	35.6	975	90.4	0.80	2.0	7.2	2.1	223	92	0.38	181
WEBP2-200L2-6	22	45.3	43.1	41.6	975	90.9	0.81	2.0	7.3	2.1	242	92	0.4	215
WEBP2-225M-6	30	61	58	56	980	91.7	0.82	2.0	6.8	2.1	328	92	0.9	292
WEBP2-250M-6	37	73	70	67	985	92.2	0.83	2.0	7.0	2.1	423	93	1	359
WEBP2-280S-6	45	87	82	79	985	92.7	0.85	2.0	7.2	2.0	467	93	2.1	436
WEBP2-280M-6	55	104	99	96	985	93.1	0.86	2.0	7.2	2.0	597	94	2.9	533
WEBP2-315S-6	75	144	137	133	990	93.7	0.84	2.0	6.5	2.0	925	94	3.4	723
WEBP2-315M-6	90	171	162	157	990	94.0	0.85	2.0	6.6	2.0	1040	96	4	868
WEBP2-315L1-6	110	208	198	191	990	94.3	0.85	2.0	6.6	2.0	1165	96	5	1061
WEBP2-315L2-6	132	246	234	226	990	94.6	0.86	2.0	6.6	2.0	1233	96	6	1273
WEBP2-355M1-6	160	298	283	273	995	94.8	0.86	2.0	6.7	2.0	1459	99	9.1	1536
WEBP2-355M2-6	200	371	353	341	995	95.0	0.86	2.0	6.8	2.0	1617	99	12	1920
WEBP2-355L1-6	220	409	388	375	995	95.0	0.86	2.0	6.8	2.0	1936	99	13	2112
WEBP2-355L2-6	250	465	441	426	995	95.0	0.86	2.0	6.8	2.0	1956	99	14	2399
WEBP2-3551-6	280	520	494	477	995	95.0	0.86	2.0	7.1	2.0	1981	103	15	2687
WEBP2-3552-6	315	585	556	536	995	95.0	0.86	2.0	7.1	2.0	2046	103	16	3023

50Hz 750 r/min (8 pole)

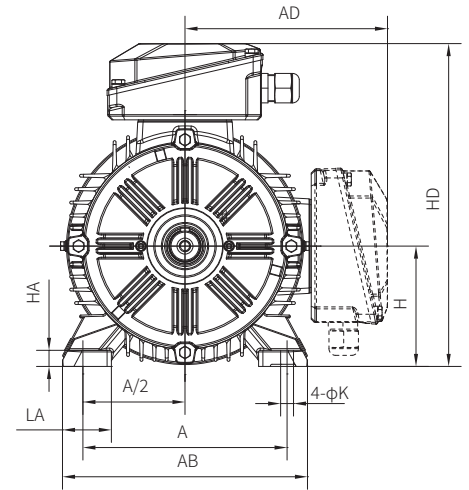
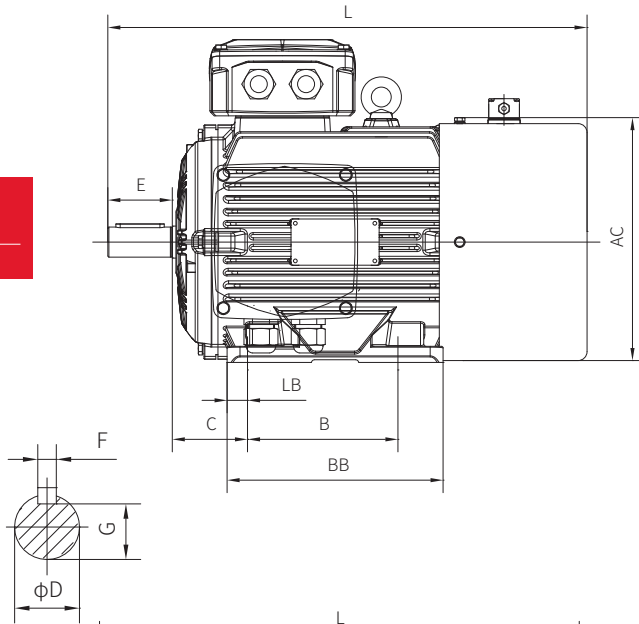
Model	Power	Rated Current (A)			Speed r/min	Efficiency (%)	Power Factor	Locked Rotor Torque Rated Torque	Locked Rotor Current Rated Current	Maximum Torque Rated Torque	Weight kg	Noise Lw dB(A)	Moment of Inertia kg·m ²	Torque N.m
	kW	I _N 380V	I _N 400V	I _N 415V										
WEBP2-80M1-8	0.18	0.98	0.93	0.90	680	45.9	0.61	1.8	5.1	1.9	16	52	0.0027	2.47
WEBP2-80M2-8	0.25	1.23	1.17	1.13	680	50.6	0.61	1.8	5.5	1.9	18	52	0.0073	3.44
WEBP2-90S-8	0.37	1.64	1.56	1.51	700	56.1	0.61	1.8	6.0	1.9	22	56	0.011	5.05
WEBP2-90L-8	0.55	2.22	2.11	2.04	700	61.7	0.61	1.8	5.8	2.0	25	56	0.013	7.5
WEBP2-100L1-8	0.75	2.57	2.44	2.36	710	66.2	0.67	1.8	6.1	2.0	32	59	0.022	10.1
WEBP2-100L2-8	1.1	3.43	3.25	3.14	710	70.8	0.69	1.8	6.1	2.0	35	59	0.026	14.8
WEBP2-112M-8	1.5	4.40	4.18	4.03	715	74.1	0.70	1.8	6.4	2.0	39	61	0.040	20.2
WEBP2-132S-8	2.2	6.1	5.8	5.6	720	77.6	0.71	1.8	6.4	2.0	58	80	0.066	29.4
WEBP2-132M-8	3	7.8	7.4	7.2	720	80.0	0.73	1.8	6.8	2.0	69	80	0.079	40.1
WEBP2-160M1-8	4	10.2	9.7	9.3	725	81.9	0.73	1.9	6.8	2.0	99	86	0.17	52.3
WEBP2-160M2-8	5.5	13.5	12.8	12.4	725	83.8	0.74	1.9	6.7	2.0	106	86	0.20	72.4
WEBP2-160L-8	7.5	17.8	16.9	16.3	725	85.3	0.75	1.9	6.4	2.0	124	86	0.26	98.1
WEBP2-180L-8	11	25.7	24.4	23.5	730	86.9	0.75	2.0	6.5	2.0	186	89	0.53	144
WEBP2-200L-8	15	34.1	32.4	31.2	735	88.0	0.76	2.0	6.6	2.0	246	92	0.97	195
WEBP2-225S-8	18.5	41.8	39.7	38.3	735	88.6	0.76	1.9	6.6	2.0	272	92	1.4	240
WEBP2-225M-8	22	48.2	45.7	44.1	735	89.1	0.78	1.9	6.6	2.0	313	92	1.6	286
WEBP2-250M-8	30	64	61	59	735	89.8	0.79	1.9	6.5	2.0	433	93	2.7	387
WEBP2-280S-8	37	79	75	72	740	90.3	0.79	1.9	6.5	2.0	474	93	4.5	478
WEBP2-280M-8	45	96	91	87	740	90.7	0.79	1.9	6.5	2.0	603	94	5.1	581
WEBP2-315S-8	55	114	108	104	740	91.0	0.81	1.8	6.6	2.0	895	94	8.7	710
WEBP2-315M-8	75	154	146	141	740	91.6	0.81	1.8	6.1	2.0	1052	96	11	968
WEBP2-315L1-8	90	182	173	166	740	91.9	0.82	1.8	6.2	2.0	1173	96	12	1161
WEBP2-315L2-8	110	221	210	202	740	92.3	0.82	1.8	6.3	2.0	1240	96	14	1420
WEBP2-355M1-8	132	264	251	242	745	92.6	0.82	1.8	6.3	2.0	1479	99	21	1692
WEBP2-355M2-8	160	319	303	292	745	93.0	0.82	1.8	6.3	2.0	1568	99	23	2051
WEBP2-355L-8	200	392	372	359	745	93.5	0.83	1.8	6.4	2.0	1945	99	29	2564

50Hz 600 r/min (10 pole)

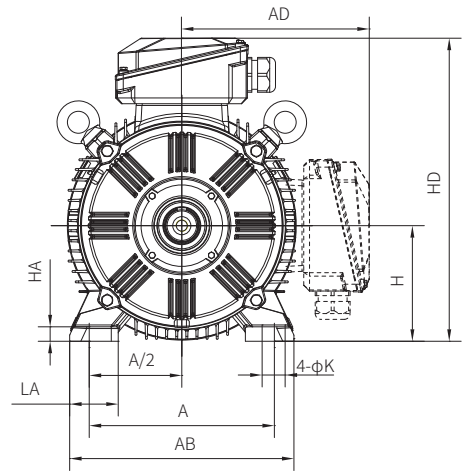
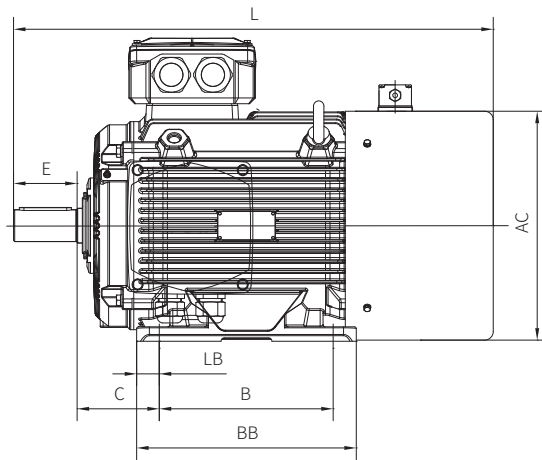
Model	Power	Rated Current (A)			Speed r/min	Efficiency (%)	Power Factor	Locked Rotor Torque Rated Torque	Locked Rotor Current Rated Current	Maximum Torque Rated Torque	Weight kg	Noise Lw dB(A)	Moment of Inertia kg·m ²	Torque N.m
	kW	I _N 380V	I _N 400V	I _N 415V										
WEBP2-250M1-10	18.5	45.1	42.8	41.3	585	86.6	0.72	1.8	6.2	2.0	370	75	3.5	305
WEBP2-250M-10	22	53.3	50.6	48.8	585	87.1	0.72	1.8	6.2	2.0	390	75	3.8	362
WEBP2-280S-10	30	71.2	67.6	65.2	585	87.7	0.73	1.8	6.2	2.0	530	76	4.1	494
WEBP2-280M-10	37	84.9	80.6	77.7	585	88.3	0.75	1.8	6.2	2.0	660	76	4.5	609
WEBP2-315S-10	45	101	96	93	587	90.2	0.75	1.5	6.2	2.0	1190	82	5.4	741
WEBP2-315M-10	55	124	117	113	587	90.2	0.75	1.5	6.2	2.0	1390	82	6.6	898
WEBP2-315L1-10	75	165	156	151	587	91.1	0.76	1.5	6.2	2.0	1510	82	7.6	1224
WEBP2-315L2-10	90	195	185	178	587	91.1	0.77	1.5	5.9	2.0	1590	82	9	1469
WEBP2-355M1-10	110	234	222	214	587	91.7	0.78	1.3	6.0	2.0	1870	85	14	1796
WEBP2-355M2-10	132	278	264	255	587	92.4	0.78	1.3	6.0	2.0	2150	85	17	2155
WEBP2-355L1-10	160	337	320	309	587	92.4	0.78	1.3	6.0	2.0	2200	85	19	2612
WEBP2-355L2-10	185	389	370	356	587	92.6	0.78	1.3	6.0	2.0	2250	85	22	3020

Motor installation and dimensions

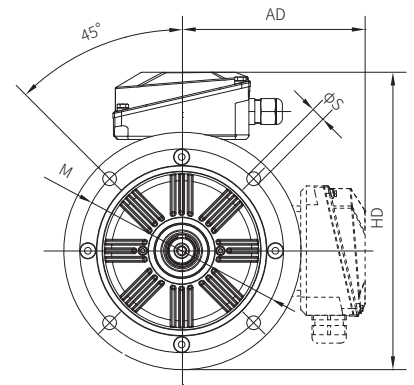
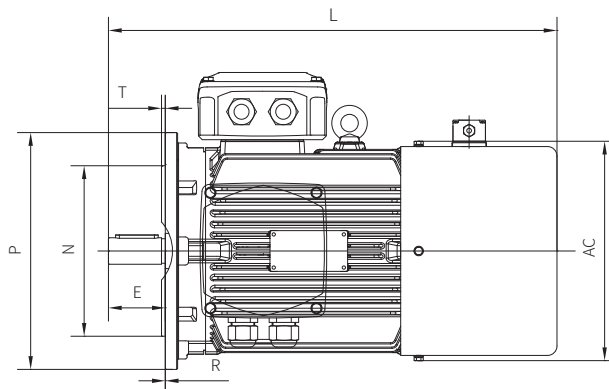
IM B3
IM 1001
80-180



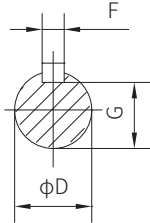
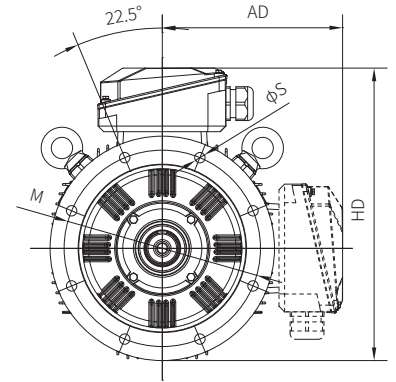
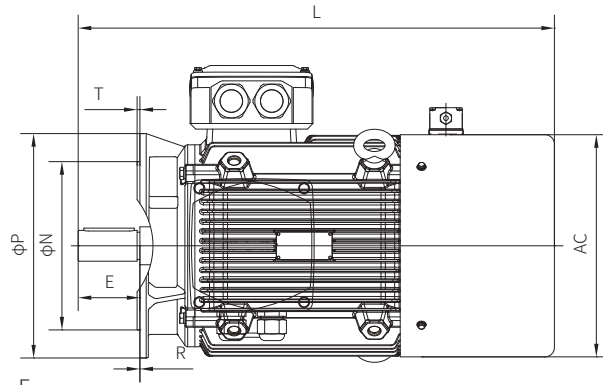
IM B3
IM 1001
200-355



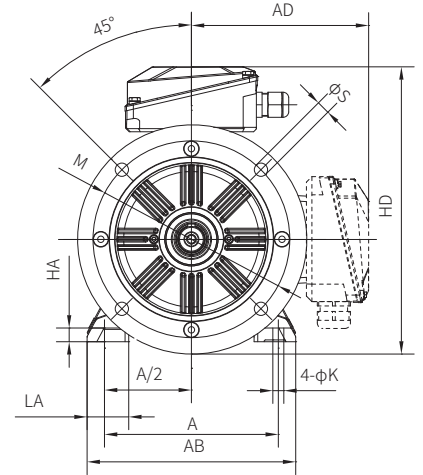
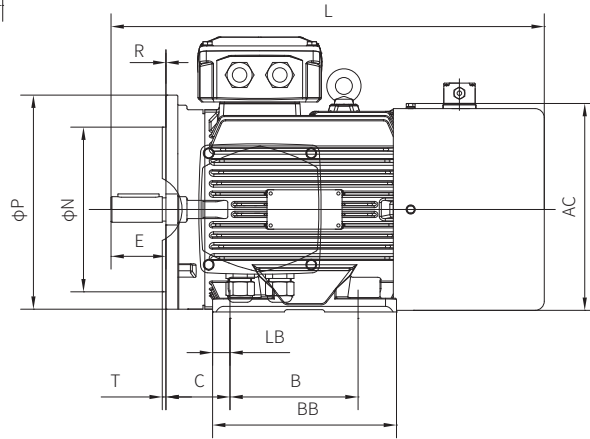
IM B5
IM 3001
80-200



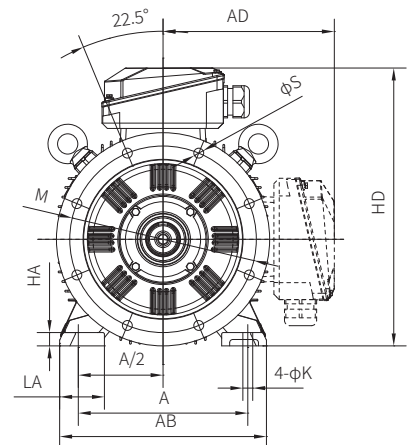
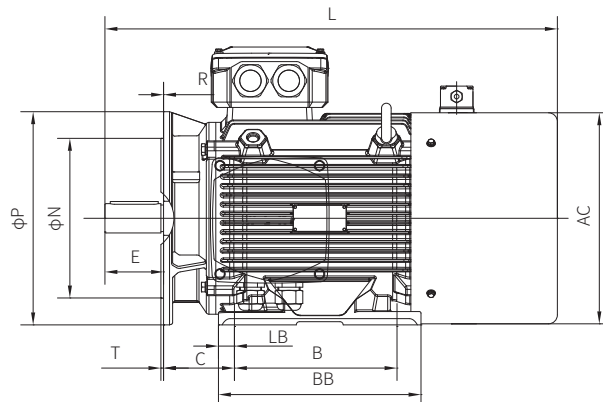
IM B5
IM 3001
225-355



IM B35
IM 2001
80-200



IM B35
IM 2001
225-355



WEBP4 installation and dimensions

Frame	Mounting dimensions and tolerances [mm]														Boundary dimension [mm]									
	A	B	C	D	E	F	G	H	K	M	N	P	R	S	T	LA	LB	AB	BB	HA	AC	AD	HD	L
80M	125	100	50	19	40	6	15.5	80	10	165	130	200	0±1.5	12	3.5	32	15	157	146	10	163	136	221	358
90S	140	100	56	24	50	8	20	90	10	165	130	200	0±1.5	12	3.5	37	16.6	172	153	12	177	149	244	407
90L	140	125	56	24	50	8	20	90	10	165	130	200	0±1.5	12	3.5	37	16.6	172	175	12	177	149	244	432
100L	160	140	63	28	60	8	24	100	12	215	180	250	0±2.0	14.5	4	45	19	200	198	15	208	163	268	474
112M	190	140	70	28	60	8	24	112	12	215	180	250	0±2.0	14.5	4	45	19	228	201	15	226	189	305	533
132S	216	140	89	38	80	10	33	132	12	265	230	300	0±2.0	14.5	4	56.5	21.5	262	184	18	260	210	345	512
132M	216	178	89	38	80	10	33	132	12	265	230	300	0±2.0	14.5	4	56.5	21.5	262	222	18	260	210	345	552
160M	254	210	108	42	110	12	37	160	14.5	300	250	350	0±3.0	18.5	5	65	27	314	280	20	320	260	422	682
160L	254	254	108	42	110	12	37	160	14.5	300	250	350	0±3.0	18.5	5	65	27	314	324	20	320	260	422	727
180M	279	241	121	48	110	14	42.5	180	14.5	300	250	350	0±3.0	18.5	5	68	26.5	349	297	22	360	279	463	831
180L	279	279	121	48	110	14	42.5	180	14.5	300	250	350	0±3.0	18.5	5	68	26.5	349	335	22	360	279	463	866
200L	318	305	133	55	110	16	49	200	18.5	350	300	400	0±3.0	18.5	5	84	30	388	380	25	396	321	526	920
225S	356	286	149	60	140	18	53	225	18.5	400	350	450	0±4.0	18.5	5	84	43	431	368	28	442	345	570	956
225M(2P)	356	311	149	55	110	16	49	225	18.5	400	350	450	0±4.0	18.5	5	84	30.5	431	368	28	442	345	570	956
225M(4P+)	356	311	149	60	140	18	53	225	18.5	400	350	450	0±4.0	18.5	5	84	30.5	431	368	28	442	345	570	981
250M(2P)	406	349	168	60	140	18	53	250	24	500	450	550	0±4.0	18.5	5	80	43	484	421	30	488	446	671	1121
250M(4P+)	406	349	168	65	140	18	58	250	24	500	450	550	0±4.0	18.5	5	80	43	484	421	30	488	446	671	1121
280S(2P)	457	368	190	65	140	18	58	280	24	500	450	550	0±4.0	18.5	5	84	55	542	460	35	547	449	728	1186
280S(4P+)	457	368	190	75	140	20	67.5	280	24	500	450	550	0±4.0	18.5	5	84	55	542	460	35	547	449	728	1186
280M(2P)	457	419	190	65	140	18	58	280	24	500	450	550	0±4.0	18.5	5	84	58.5	542	515	35	547	449	728	1234
280M(4P+)	457	419	190	75	140	20	67.5	280	24	500	450	550	0±4.0	18.5	5	84	58.5	542	515	35	547	449	728	1234
315S(2P)	508	406	216	65	140	18	58	315	28	600	550	660	0±4.0	24	6	115	46	628	540	40	631	507	822	1363
315S(4P+)	508	406	216	80	170	22	71	315	28	600	550	660	0±4.0	24	6	115	46	628	540	40	631	507	822	1393
315M(2P)	508	457	216	65	140	18	58	315	28	600	550	660	0±4.0	24	6	115	46	628	640	40	631	507	822	1463
315M(4P+)	508	457	216	80	170	22	71	315	28	600	550	660	0±4.0	24	6	115	46	628	640	40	631	507	822	1493
315L(2P)	508	508	216	65	140	18	58	315	28	600	550	660	0±4.0	24	6	115	46	628	640	40	631	507	822	1463
315L(4P+)	508	508	216	80	170	22	71	315	28	600	550	660	0±4.0	24	6	115	46	628	640	40	631	507	822	1493
355M(2P)	610	560	254	75	140	20	67.5	355	28	740	680	800	0±4.0	24	6	146	40.5	740	700	45	709	644	999	1657
355M(4P+)	610	560	254	95	170	25	86	355	28	740	680	800	0±4.0	24	6	146	40.5	740	700	45	709	644	999	1687
355L(2P)	610	630	254	75	140	20	67.5	355	28	740	680	800	0±4.0	24	6	146	49	740	887	45	709	644	999	1827
355L(4P+)	610	630	254	95	170	25	86	355	28	740	680	800	0±4.0	24	6	146	49	740	887	45	709	644	999	1857
3551(2P)	610	630	254	75	140	20	67.5	355	28	740	680	800	0±4.0	24	6	146	49	740	887	45	709	644	999	1827
3552(4P+)	610	630	254	95	170	25	86	355	28	740	680	800	0±4.0	24	6	146	49	740	887	45	709	644	999	1857
3552 (2P)	610	630	254	75	140	20	67.5	355	28	740	680	800	0±4.0	8-24	6	146	49	740	865	52	710	650	1010	1860
3552 (4P+)	610	630	254	95	170	25	86	355	28	740	680	800	0±4.0	8-24	6	146	49	740	865	52	710	650	1010	1900

WEBP2&WEBP3 installation and dimensions

Frame	Mounting dimensions and tolerances (mm)														Boundary dimension (mm)									
	A	B	C	D	E	F	G	H	K	M	N	P	R	S	T	LA	LB	AB	BB	HA	AC	AD	HD	L
80	125	100	50	19	40	6	15.5	80	10	165	130	200	0±1.5	4-12	3.5	32	15	157	146	10	163	136	221	345
90S	140	100	56	24	50	8	20	90	10	165	130	200	0±1.5	4-12	3.5	37	16.6	172	153	12	177	149	244	395
90L	140	125	56	24	50	8	20	90	10	165	130	200	0±1.5	4-12	3.5	37	16.6	172	175	12	177	149	244	415
100L	160	140	63	28	60	8	24	100	12	215	180	250	0±2.0	4-14.5	4	45	18	200	198	15	208	163	268	480
112M	190	140	70	28	60	8	24	112	12	215	180	250	0±2.0	4-14.5	4	45	19	228	201	15	226	189	305	500
132S	216	140	89	38	80	10	33	132	12	265	230	300	0±2.0	4-14.5	4	56.5	21.5	262	184	18	252	203	340	520
132M	216	178	89	38	80	10	33	132	12	265	230	300	0±2.0	4-14.5	4	56.5	21.5	262	222	18	252	203	340	560
160M	254	210	108	42	110	12	37	160	14.5	300	250	350	0±3.0	4-18.5	5	65	46	314	280	20	318	256	421	655
160L	254	254	108	42	110	12	37	160	14.5	300	250	350	0±3.0	4-18.5	5	65	46	314	324	20	318	256	421	700
180M	279	241	121	48	110	14	42.5	180	14.5	300	250	350	0±3.0	4-18.5	5	68	26.5	349	297	22	360	279	463	765
180L	279	279	121	48	110	14	42.5	180	14.5	300	250	350	0±3.0	4-18.5	5	68	26.5	349	335	22	360	279	463	800
200L	318	305	133	55	110	16	49	200	18.5	350	300	400	0±3.0	4-18.5	5	84	30	388	380	25	396	321	526	850
225S	356	286	149	60	140	18	53	225	18.5	400	350	450	0±4.0	8-18.5	5	84	43	431	368	28	442	345	570	891
225M (2P)	356	311	149	55	110	16	49	225	18.5	400	350	450	0±4.0	8-18.5	5	84	30.5	431	431	28	442	345	570	886
225M (4P+)	356	311	149	60	140	18	53	225	18.5	400	350	450	0±4.0	8-18.5	5	84	30.5	431	431	28	442	345	570	916
250M (2P)	406	349	168	60	140	18	53	250	24	500	450	550	0±4.0	8-18.5	5	80	43	484	421	30	488	446	671	1079
250M (4P+)	406	349	168	65	140	18	58	250	24	500	450	550	0±4.0	8-18.5	5	80	43	484	421	30	488	446	671	1079
280S(2P)	457	368	190	65	140	18	58	280	24	500	450	550	0±4.0	8-18.5	5	84	55	542	460	35	547	449	728	1186
280S (4P+)	457	368	190	75	140	20	67.5	280	24	500	450	550	0±4.0	8-18.5	5	84	55	542	460	35	547	449	728	1186
280M (2P)	457	419	190	65	140	18	58	280	24	500	450	550	0±4.0	8-18.5	5	84	58.5	542	515	35	547	449	728	1234
280M (4P+)	457	419	190	75	140	20	67.5	280	24	500	450	550	0±4.0	8-18.5	5	84	58.5	542	515	35	547	449	728	1234
315S(2P)	508	406	216	65	140	18	58	315	28	600	550	660	0±4.0	8-24	6	115	46	628	540	40	631	507	822	1305
315S (4P+)	508	406	216	80	170	22	71	315	28	600	550	660	0±4.0	8-24	6	115	46	628	540	40	631	507	822	1335
315M (2P)	508	457	216	65	140	18	58	315	28	600	550	660	0±4.0	8-24	6	115	46	628	640	40	631	507	822	1405
315M (4P+)	508	457	216	80	170	22	71	315	28	600	550	660	0±4.0	8-24	6	115	46	628	640	40	631	507	822	1435
315L (2P)	508	508	216	65	140	18	58	315	28	600	550	660	0±4.0	8-24	6	115	46	628	640	40	631	507	822	1405
315L (4P+)	508	508	216	80	170	22	71	315	28	600	550	660	0±4.0	8-24	6	115	46	628	640	40	631	507	822	1435
355M (2P)	610	560	254	75	140	20	67.5	355	28	740	680	800	0±4.0	8-24	6	146	41	740	700	45	710	650	1010	1657
355M (4P+)	610	560	254	95	170	25	86	355	28	740	680	800	0±4.0	8-24	6	146	41	740	700	45	710	650	1010	1687
355L (2P)	610	630	254	75	140	20	67.5	355	28	740	680	800	0±4.0	8-24	6	146	49	740	865	45	710	650	1010	1827
355L (4P+)	610	630	254	95	170	25	86	355	28	740	680	800	0±4.0	8-24	6	146	49	740	865	45	710	650	1010	1857
3551 (2P)	610	630	254	75	140	20	67.5	355	28	740	680	800	0±4.0	8-24	6	146	49	740	865	52	710	650	1010	1860
3551 (4P+)	610	630	254	95	170	25	86	355	28	740	680	800	0±4.0	8-24	6	146	49	740	865	52	710	650	1010	1900
3552 (2P)	610	630	254	75	140	20	67.5	355	28	740	680	800	0±4.0	8-24	6	146	49	740	865	52	710	650	1010	1860
3552 (4P+)	610	630	254	95	170	25	86	355	28	740	680	800	0±4.0	8-24	6	146	49	740	865	52	710	650	1010	1900

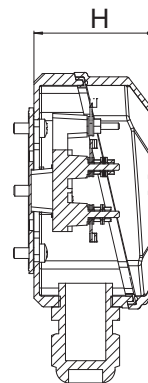
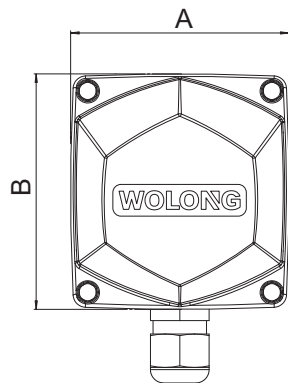
Technical information

Independent fan

Model	Voltage	Frequency	Power	Current	Airflow	Wind pressure	Speed	Noise
	V	Hz	W	A	m ³ /h	Pa	r/min	dB(A)
WEBP-80	380	50	28	0.10	58	60	2800	62
WEBP-90	380	50	30	0.10	91	80	2800	65
WEBP-100	380	50	45	0.15	142	80	2800	67
WEBP-112	380	50	50	0.21	229	80	2800	67
WEBP-132	380	50	40	0.17	337	35	1400	69
WEBP-160	380	50	80	0.24	609	40	1400	72
WEBP-180	380	50	110	0.35	686	55	1400	72
WEBP-200	380	50	170	0.50	1679	65	1400	72
WEBP-225	380	50	250	0.83	4000	85	1400	74
WEBP-250	380	50	430	1.00	1813	80	1400	75
WEBP-280	380	50	550	1.57	2415	85	1400	78
WEBP-315	380	50	1100	2.60	7500	220	1400	86
WEBP-355	380	50	1500	3.60	10000	200	1400	86

Terminal box

Frame	Boundary dimension AxBxH (mm)	Number and size of outlets	Diameter of single hole screw sleeve can lock the cable (mm)	Thread of terminal
80	90x96x50	1-M25x1.5	Φ8-Φ12	M4
90~100	102x110x57.5	1-M25x1.5	Φ8-Φ12	M4
112~132	136x146x72	2-M25x1.5	Φ8-Φ12	M5
160~180	171x181x91	2-M32x1.5	Φ16-Φ21	M6
200~225	220x230x113	2-M50x1.5	Φ32-Φ39	M8
250~280	270x280x116.5	2-M63x1.5	Φ37-Φ44	M10
315	312x329x175	2-M63x1.5	Φ37-Φ44	M12
355	382x402x200	2-M72x2	Φ45-Φ53	M16



▼ Lifting ring

Frame	Lifting ring	Horizontal installation	
		Quantity	Location
80~90S	---	---	---
90L~112	M8	1	On top of the frame
132	M10	1	
160	M12	1	
180	M16	1	
200~225	M20	2	Both sides of terminal box
250~280	M24	2	
315	M30	2	
355	M36	2	

▼ Screw hole of shaft

Frame	Screw hole
80	M6*16
90	M8*19
100	M10*22
112	M10*28
132	M12*28
160	M16*36
180	M16*36
200~280	M20*42
315	M20*42
355	M20*45

▼ Bearing type (WEBP2&WEBP3)

Frame	Poles	DE	NDE
80	2~10	6204ZZ	6204ZZ
90	2~10	6205ZZ	6205ZZ
100	2~10	6206ZZ	6206ZZ
112	2~10	6206ZZ	6206ZZ
132	2~10	6208ZZ	6208ZZ
160	2~10	6309ZZ	6309ZZ
180	2~10	6311ZZ	6311ZZ
200	2~10	6312	6212
225	2	6312	6312
225	4~10	6313	6312
250	2	6313	6313
250	4~10	6314	6313
280	2	6314	6314
280	4~10	6317	6314
315	2	6317	6317
315	4~10	6319	6319
355	2	6319	6319
355	4~10	6322	6322

▼ Bearing type (WEBP4)

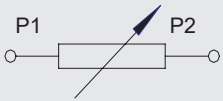
Frame	Poles	DE	NDE
80	2~8	6204ZZ	6204ZZ
90	2~8	6205ZZ	6205ZZ
100	2~8	6206ZZ	6206ZZ
112	2~8	6206ZZ	6206ZZ
132	2~8	6208ZZ	6208ZZ
160	2~8	6309ZZ	6309ZZ
180	2~8	6310ZZ	6310ZZ
200	2~8	6312	6312
225	2	6312	6312
225	4~8	6313	6312
250	2	6313	6313
250	4~8	6314	6313
280	2	6314	6314
280	4~8	6317	6314
315	2	6317	6317
315	4~8	6319	6319
355	2	6319	6319
355	4~8	6322	6322

Note: Bearing selection can be changed according to the requirements of customers' working conditions. Choice angular contact bearings or short cylindrical bearings, for example.

Optional accessories

Thermal protection device is optional for WEBP series.

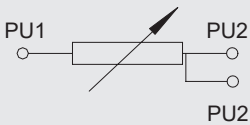
▼ Thermistor PTC

Name	PTC thermistor
Type	MZ6 160 D
Application	Motor overheating protection
Operating temperature and accuracy	160 ±5°C
Set position	1 in each phase, in series, at the highest temperature point embedded at the end of the winding at the drive end
Connection	Three components in series, two leads to the terminal box.
Color and marking of wiring	P1 & P2
Wiring diagram	
Frame	80-355

Note : (1) PTC operating temperature can be customized according to specifications.

(2) PTO thermosensitive bimetal switch can be used according to specifications.

▼ Winding Resistant Temperature Detector (RTD)

Name	Platinum Resistant Temperature Detector (RTD)
Type	PT100, three leads
Application	Motor winding temperature detection, high temperature protection
0°C resistance and precision	100± 0.12Ω (Class B tolerances)
Set position	1 in each phase, at the highest temperature point embedded at the end of the winding at the drive end
Connection	Each component has three lead wires to the terminal box
Lead Markings	<p>U — PU1, PU2, PU2 ; V— PVI, PV2, PV2; W— PWI, PW2, PW2.</p> <p>If there are two elements in each phase winding, the lead of the other element is marked as:</p> <p>U— PU3, PU4, PU4 ; V— PV3, PV4, PV4 ; W— PW3, PW4, PW4</p>
Wiring diagram	
Frame	160-355

▼ Bearing Resistant Temperature Detector (RTD)

Name	Platinum Resistant Temperature Detector (RTD)
Type	WZP-M, three leads, sealed metal body
Application	Motor winding temperature detection, over temperature protection
0°C resistance and precision	100± 0.12Ω (Class B tolerances)
Quantity	One per bearing
Set position	Embedded inside the endshield, the face of the sensor must contact the outer ring of the bearing
Connection	Each component has three lead wires to the terminal box.
Lead Markings	drive-end bearing (D E) — PD1, PD2, PD2 ; non-driven-end bearing (NDE) — PN1, PN2, PN2 If two elements are used for each end of the bearing, the lead of the other element is marked as: drive-end bearing (D E) - PD3, PD4, PD4 ; non-driven-end bearing (NDE) - PN3, PN4, Pn4
Wiring diagram	
Frame sizes	160~355

According to temperature measuring elements, K or T type thermocouples can be fitted as an alternative.

▼ Anti-condensation heater

Name	Anti-condensation heater										
Application	Prevent condensation within the motor, which would lead to low insulation resistance										
Temperature resistance of insulating material	≥250°C										
Rated voltage	AC single-phase, 220 - 240V (order schedule)										
Set position	Bound to the winding overhang										
Connection	Two lead wires to the terminal box										
lead Marking	H1 & H2										
Wiring diagram											
Frame	100	112	132	160	180	200	225	250	280	315	355
Rated wattage of each heating belt	30	30	40	40	50	50	60	60	60	80	110
Quantity	1	1	1	1	1	1	1	1	1	2	2

▼ Terminal device of protective equipment

- When the motor is installed with PTC or PTO, its wiring shall be in the main terminal box with eight-post terminal board.
- When the winding or bearing of motor is loaded with PT100, its wiring is arranged in an independent auxiliary terminal box and equipped with terminal bank.
- When the motor is only equipped with winding heating belt, its wiring is on the wall of the main terminal box. (d) When the motor is assembled with heating belt and PT100, the heating belt shall be connected on the wall of the main terminal box, and the PT100 connection shall be located in an independent auxiliary terminal box with terminal bar.
- When the motor is assembled with heating belt and PTC, the heating belt shall be connected on the wall of the main terminal box, and the PTC shall be connected on the eight-column terminal board of the main terminal box.

Ordering guide

▼ The following factors should be taken into account in motor selection:

- Voltage: 380 V 660 V 400 V 690 V Others.
- Frequency: 50 Hz 60 Hz Others.
- Mounting type: IMB3 IMB35 Others.
- Operating environment: Indoor Outdoor Ambient temperature Altitude.
- Protection grade: IP55 IP56 Others.
- Equipment type and moment of inertia of load.
- Connection mode between the motor and load.
- Start mode, start frequency, start voltage drop, etc.
- Operating mode: S1 Others.
- Insulation grade: 155 (F) 180(H), Nanometer insulation.
- Rotation direction: Clockwise Counterclockwise Bidirectional.
- Wiring box position: Top of motor Right side of motor Left side of motor (viewed from the shaft extension end).
- Supply voltage and frequency of independent fan.

▼ Example of demand:

- Requirements: Frame size 200, 30kW, 2P, fixed feet, no flange at the end cover, 380/660V, 50Hz, fundamental frequency efficiency of motor body IE3, clockwise rotation, protection class IP55, insulation grade F.
The motor label is as follows: WEBP3-200L1-2 30kW 380/660V 50Hz IMB3 IP55 F.
 - If you have any special requirements for voltage, frequency, protection grade, rotation direction, installation mode, dual-shaft extension, noise, vibration and wiring box connection, consult the local technical personnel for approval before manufacturing.
- ※ The data in this sample is subject to change without notice. Please pay attention to change to the sample version.



WOLONG ELECTRIC GROUP CO.,LTD.

Add: No. 1801 West Renmin Road, Shangyu District, Shaoxing, Zhejiang, China

Web: www.wolong-electric.com